

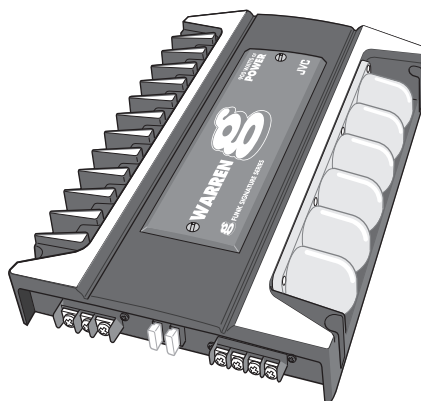
# JVC

# SCHEMATIC DIAGRAMS

## POWER AMPLIFIER

# KS-AX7700

CD-ROM No.SML200303



### Area Suffix

J ..... Northern America

## Contents

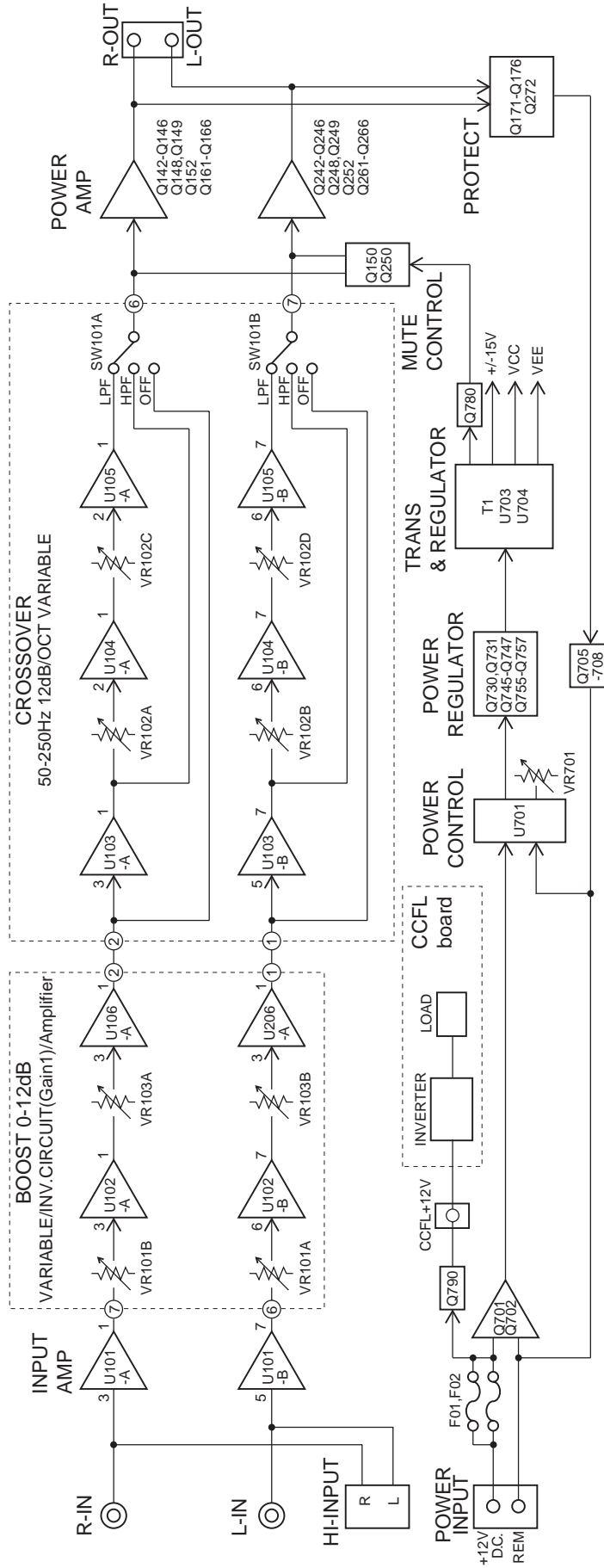
Block diagrams .....	2-1
Standard schematic diagrams .....	2-2
Printed circuit boards .....	2-8~9

## Safety precaution



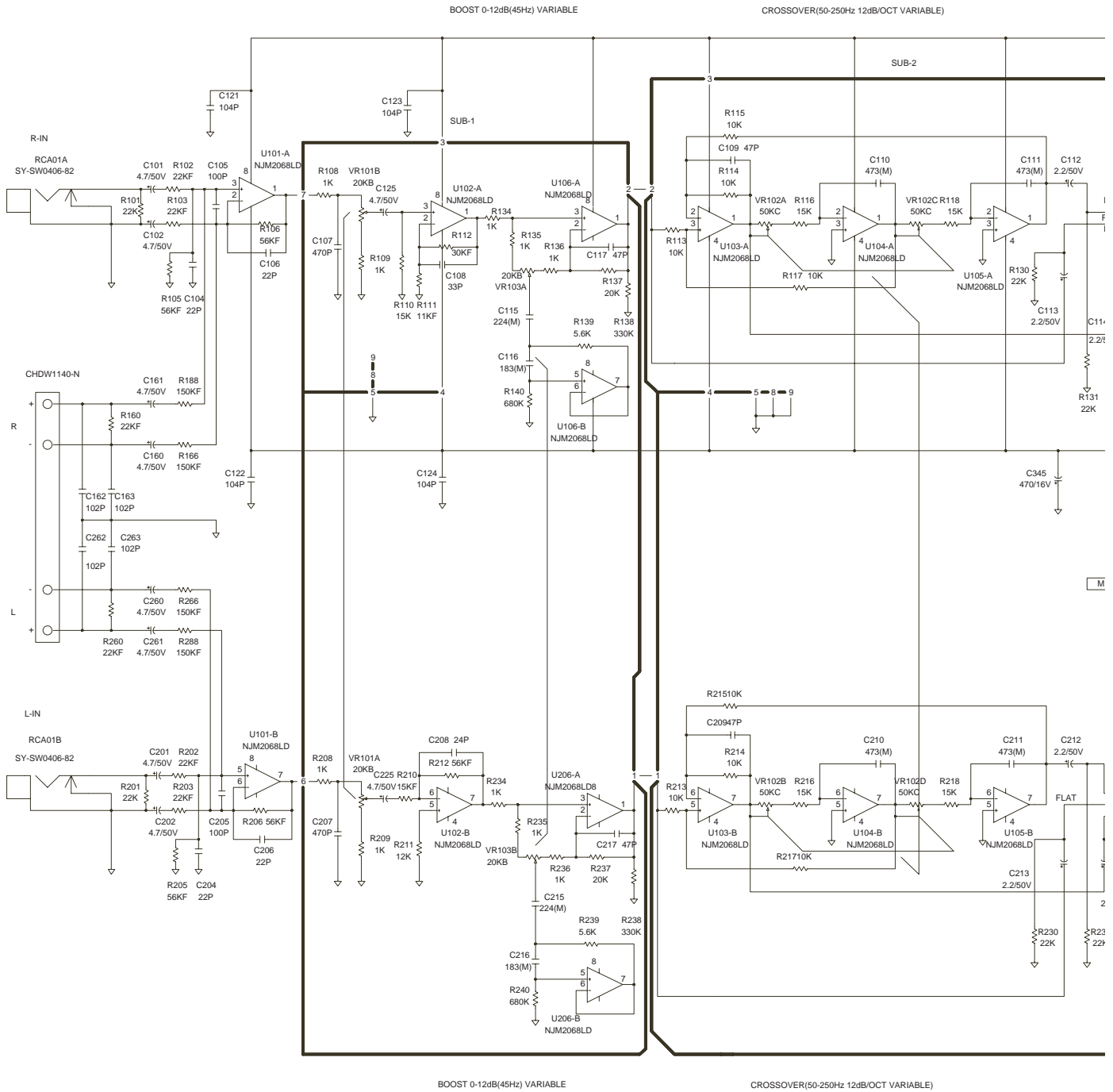
**CAUTION** Burrs formed during molding may be left over on some parts of the chassis. Therefore, pay attention to such burrs in the case of performing repair of this system.

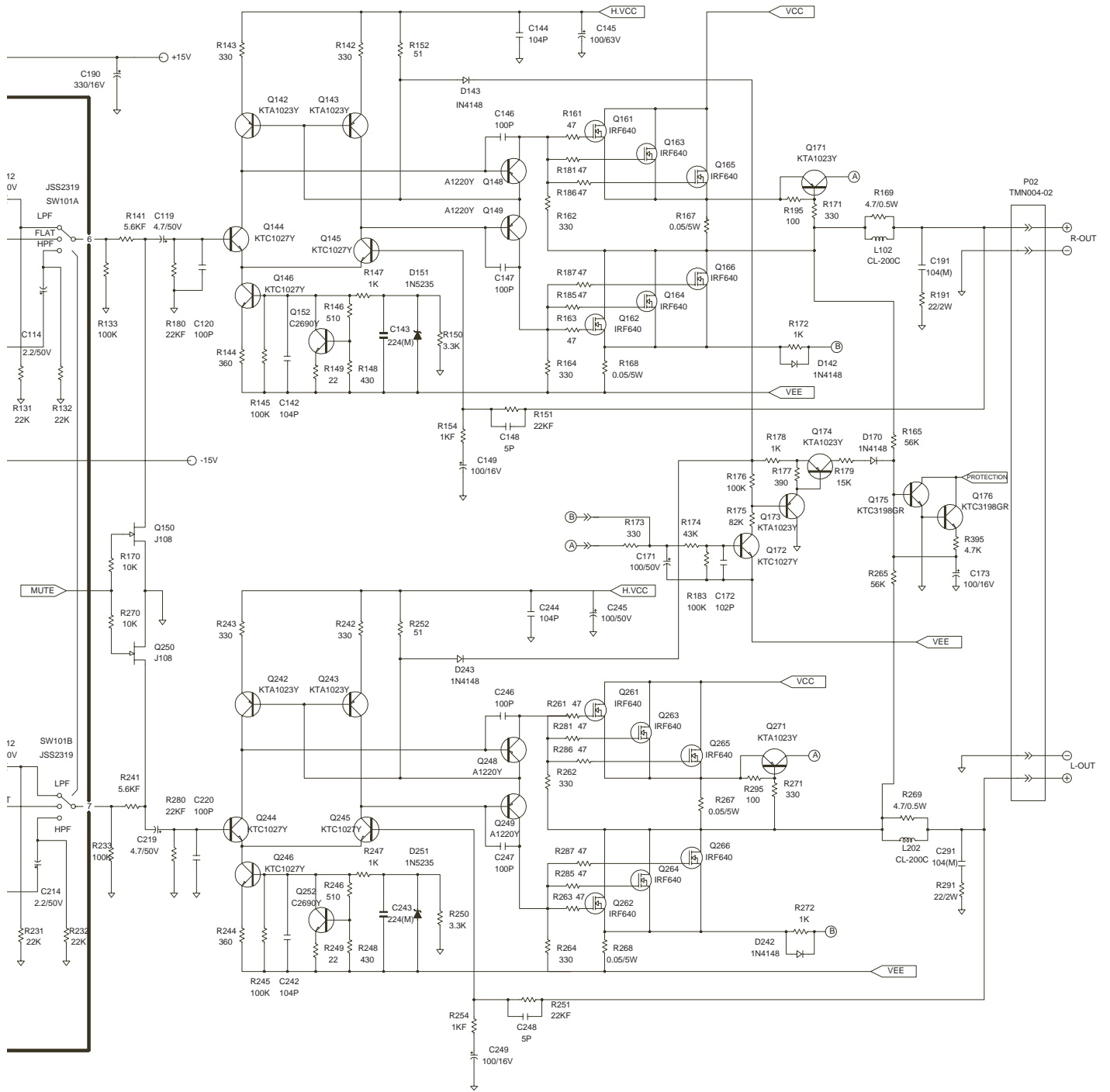
# Block diagram



# Standard schematic diagrams

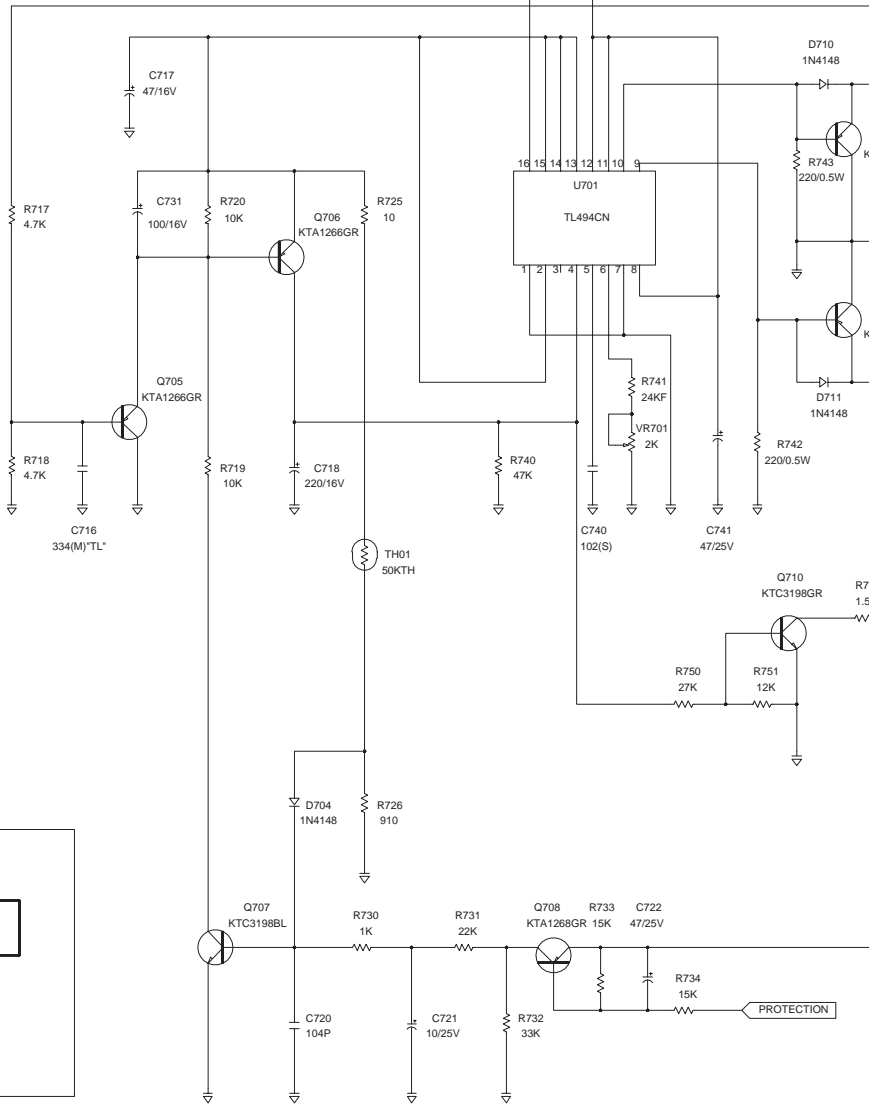
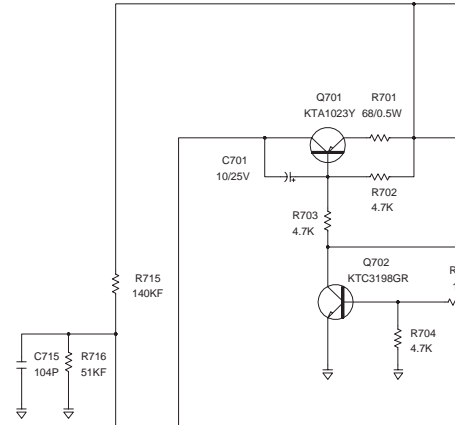
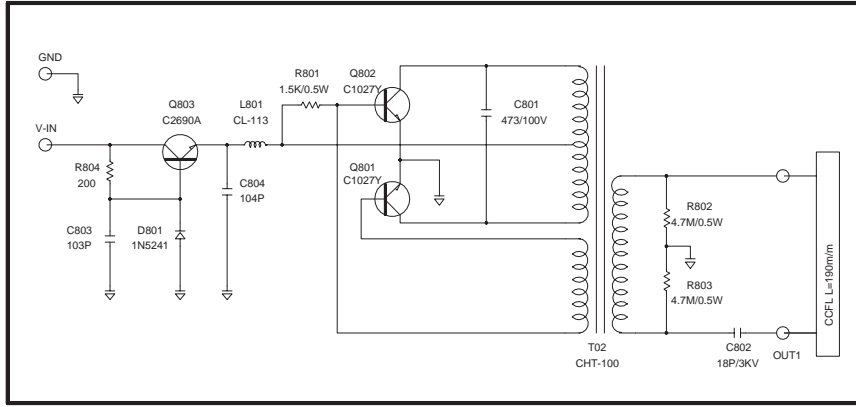
## ■ Amp section



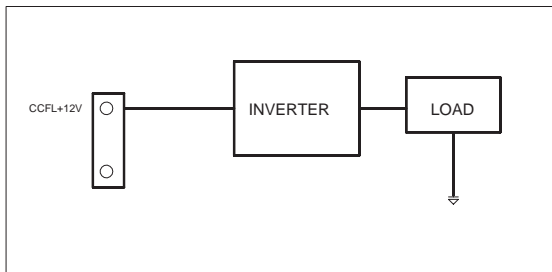


Power section

CCFL-INVERTER PCBOARD



CCFL BLOCK

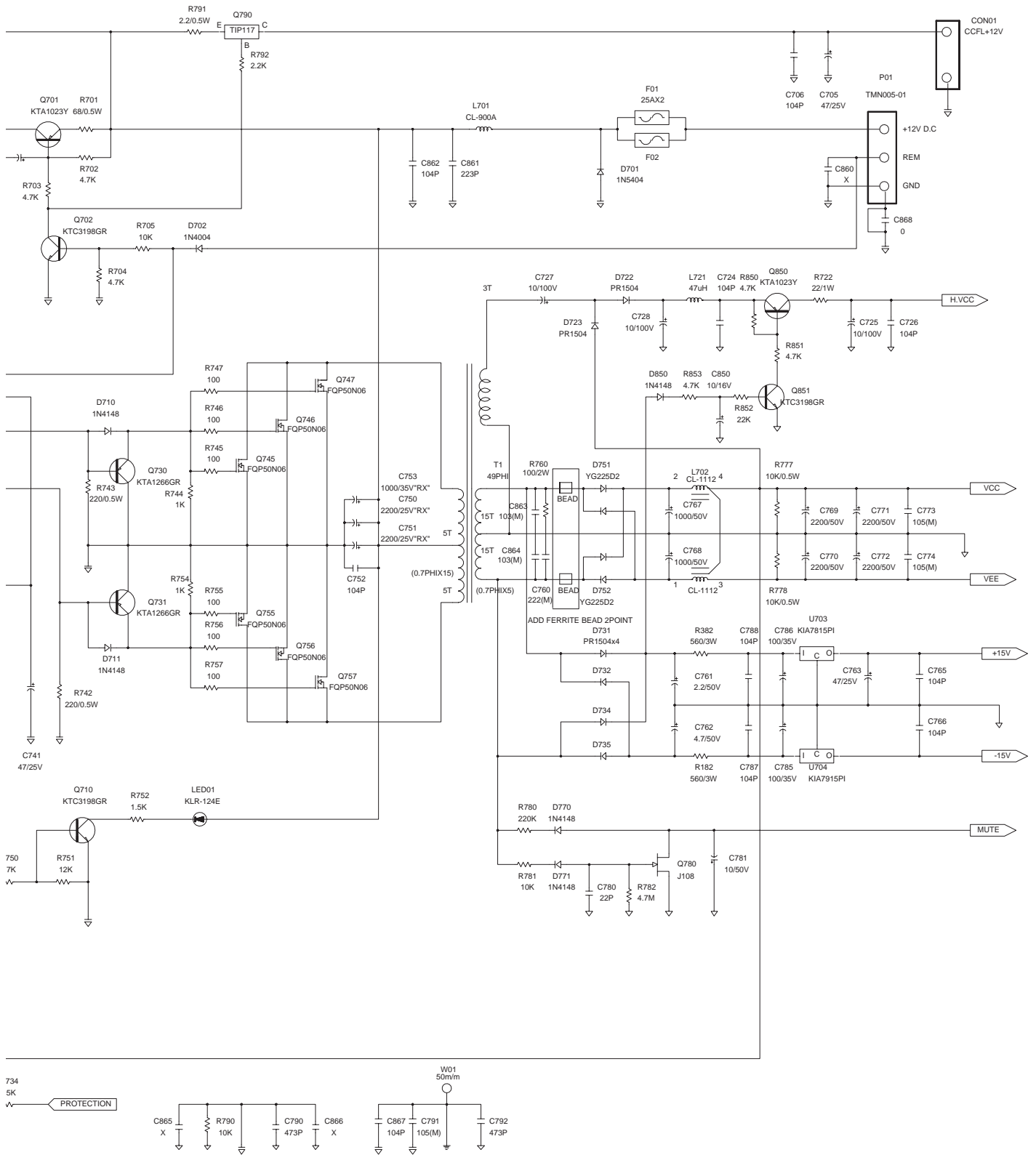


A

B

C

D



# Printed circuit boards

■ Main board (forward side)

5

4

3

2

1

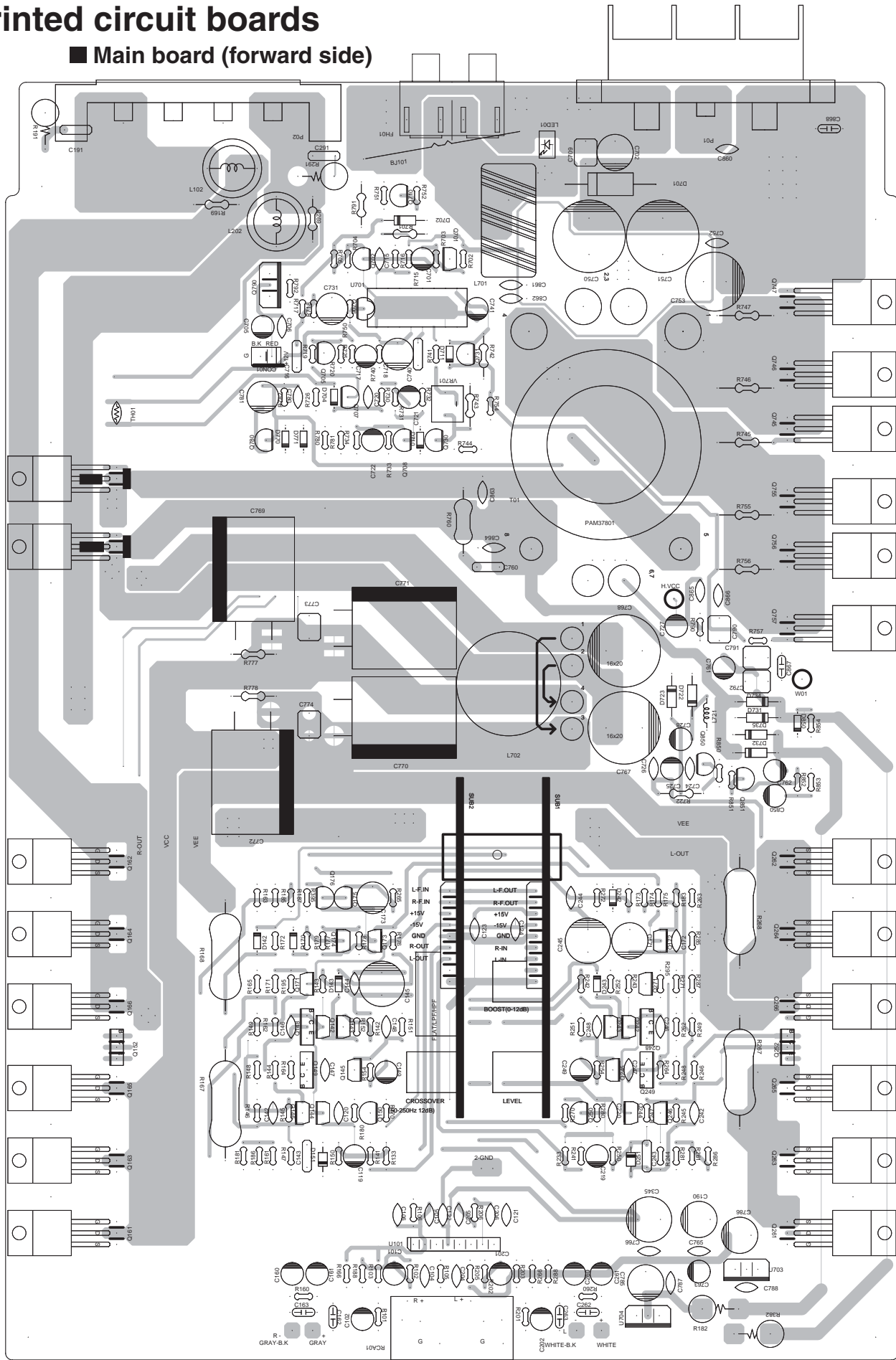
A

B

C

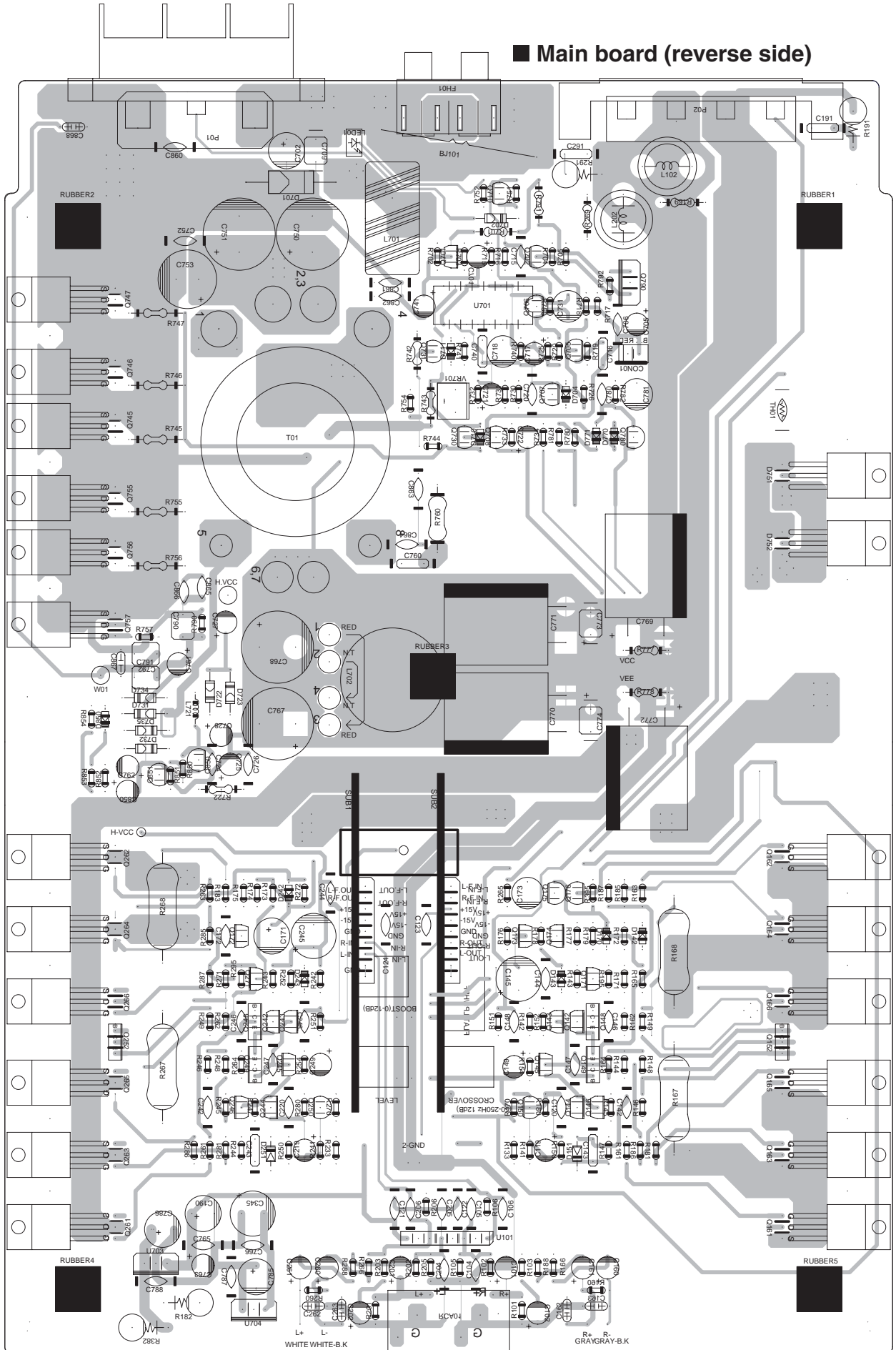
D

2-6





■ Main board (reverse side)



D

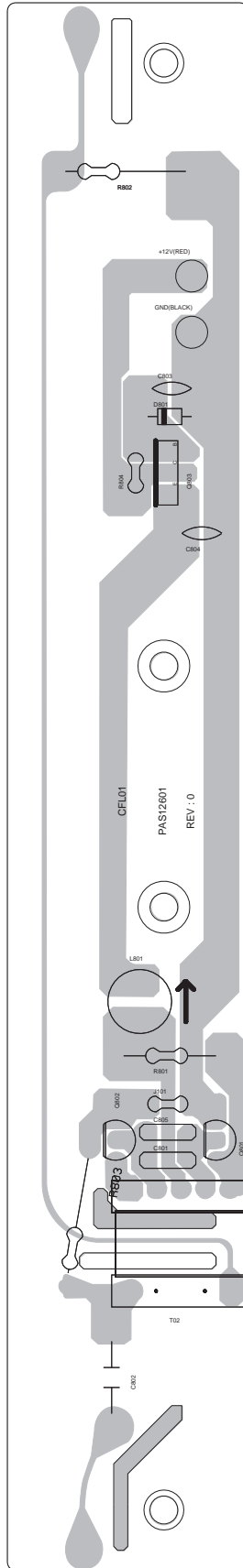
E

F

G



■ CCFL board



KS-AX7700

**JVC**

VICTOR COMPANY OF JAPAN, LIMITED

AV & MULTIMEDIA COMPANY 10-1, 1Chome, Ohwatari-machi, Maebashi-city, 371-8543, Japan

(No.49809SCH)



Printed in Japan  
2003/03